

**BALTOSPOTGFD165**



High voltage range:	<b>50 to 160kV</b>
Tube current range:	<b>1 to 5 mA</b>
Beam angle:	<b>55°</b>
Inherent Filtration (mm):	<b>6 Al</b>
Anode cooling type:	<b>Air</b>
Duty cycle:	<b>100%**</b>
Insulation:	<b>SF6 gas</b>
Mains:	<b>180 - 260V</b>
Temp. switch:	<b>70°C</b>
Weight (without rings):	<b>12 kg</b>
Tubehead:	<b>Glass</b>
Control Unit:	<b>CF2000 or Hand-X</b>

**MAIN FEATURES**

- High frequency
- Air cooled
- Very small & lightweight
- Unique energy recovery module
- Hand-X wireless remote operation availability
- Rugged and light control unit
- Safety first, x-ray start with 2 buttons
- Full automatic preheating
- Cables with reduced size and weight
- Works on power generator



Canon mil. metallic connector

**KEY ADVANTAGES**

- High stability output dose
- Lightweight
- Can be delivered with our 900g Hand-X including a Geiger-Müller detector
- Low power consumption
- Unmatched safety
- Very reliable
- Long term stable density
- Ergonomic guard rings
- CANON mil. metallic connectors

**MOST COMMON APPLICATIONS**

- Oil & Gas
- Shipyard building & Building sites
- Petrochemical & Power plants
- Tanks, reservoirs & pressure vessels
- Inspection companies & training centers
- Conventional films or CR applications

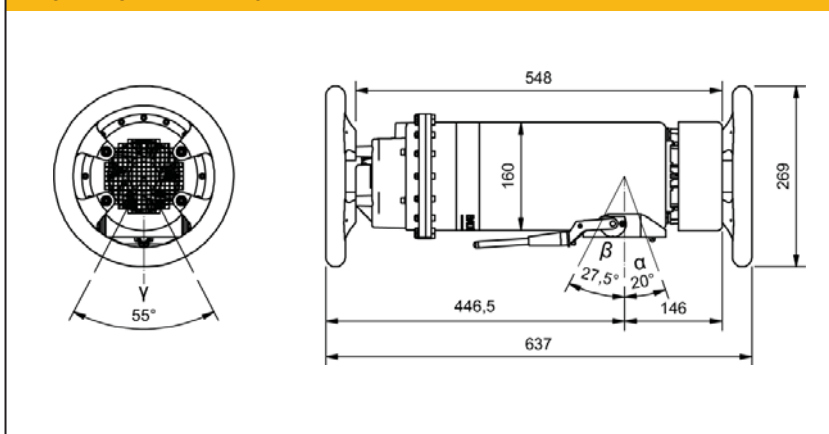


A number one hit for years, the GFD165 is the smallest unit of the GF series to date.

With a maximum of 160 kV and 5 mA, the GFD165 is a compact gas insulated unit designed for applications where size and weight matter. The GFD165 is the ideal machine for field applications where the unit needs to be frequently moved or inserted in tiny spaces. With regards to its 5mA and pulsed wave technology, the unit can penetrate medium to very thin materials, metallic or composites. It will easily surpass the poor contrast of Isotopes and will be a very good replacement in lower thickness ranges where Isotopes are generally not allowed.



**MECHANICAL DRAWING**



This unit uses the same driving electronic and technologies as the CERAM but is equipped with the standard well proven glass tube of Balteau NDT.

**INTERNATIONAL**

- CE certified
- NFC74-100 LCIE Certified
- Manufactured under ISO9001

Specifications	Units	GFD165
High voltage range:	kV	50 - 160
Tube current range:	mA	1 - 5
Maximum anode power dissipation:	Watt	800
Beam angle:		55°
Focal spot size (IEC336):	mm	1,5 x 1,5
Steel penetration at max (*):	mm	17
Max recommended temp.:	°C	50°
Temperature switch:	°C	70°
Inherent filtration:	mm	6 Al
Anode cooling type:		Air
Duty cycle:	%	100**
Mains:	V	180 - 260
Weight (without rings):	Kg	12
Tubehead:		Glass
Control unit:		CF2000 or Hand-X

\* FFD= 700mm/Film Carestream Industrex AA400/D=2.0/t=10min.

\*\*At a temperature of 30°C reduced mA.



## CF2000

- kV min step: **1**
- mA min step: **0,1**
- Time min step: **1 sec up to 99min 59sec**
- Memories: **100 last exposure/memories**
- Display: **4 lines, green back lighting**
- Mains: **170-260 V**
- Weight: **12,5kg**

### STANDARD EQUIPMENT

- Internal pressure gauge
- Heavy duty lock type connector
- 20m connecting cable for control unit
- 10m power cable
- Heavy duty hand rings
- Bag for accessories
- Holder for centering device filter and diaphragm



## Hand-X (Wireless remote control)

- kV min step: **1**
- mA min step: **0,1**
- Time min step: **1 sec up to 99min 59sec**
- Memories: **100 last exposure/memories**
- Display: **4 lines, green back lighting**
- Battery: **8h charge capacity**
- Weight: **900g**

### OPTIONAL EQUIPMENT

- Lead shutter
- AVARA/P
- Warning flashing light & repeater
- Transport case
- Cradle
- Hydraulic stand
- 100-260 V adapter
- Laser centering rods

### Produced by:

**Balteau NDT**  
Rue Voie de Liège, 12  
B-4681 Hermalle Sous Argenteau  
Belgium

www.balteau.com  
balteau@balteau.com  
Tel. +32 (0) 4 374 75 75  
Fax +32 (0) 4 374 75 85

### Distributed by:

