

The stative Tripod can be used both with every portable generator from the Baltospot range as well as most of the tubehead from the Baltograph.

Very stable for fields applications, this aluminium robust device is used



Tripod for Baltospot



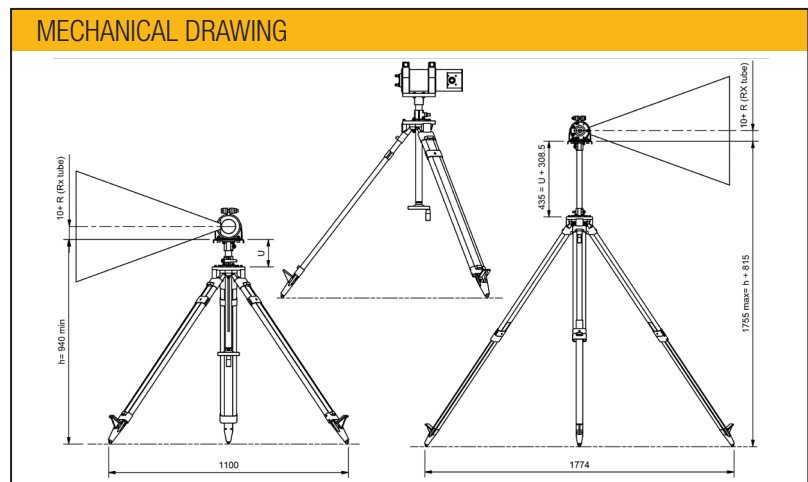
Adjustable height

to ease the work of the operator. The shoulder strap makes the carrying of this tripod very convenient.

This tripod is also equipped with a quick clamp system.



Tripod for Baltograph



Specifications

Units

STAND STATIVE TRIPOD

Diameter of tripod head:	mm	158
Height of tripod head - min:	mm	105
Height of tripod head - max:	mm	170
Horizontal rotation:		360°
Weight:	kg	5,1
Part number:		08201580

Contact details

Balteau NDT

Rue Voie de Liège, 12
B-4681 Hermalle Sous Argenteau
Belgium

www.balteau.com

balteau@balteau.com
Tel. +32 (0) 4 374 75 75
Fax +32 (0) 4 374 75 85

Distributed by:

