

BALTOGRAPH TSD225/1



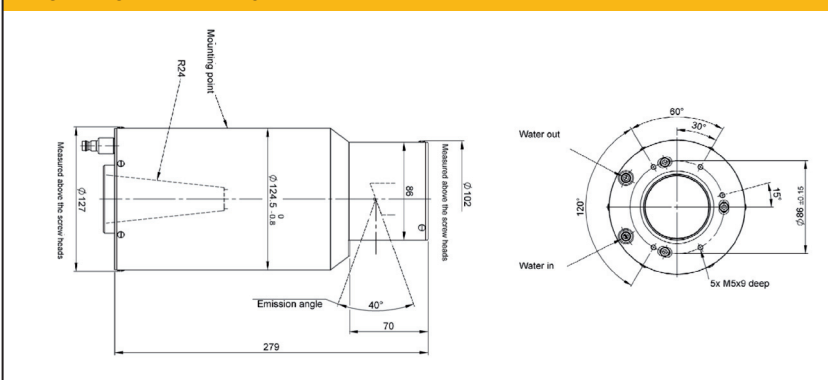
Max high voltage:	225 kV
Nominal power:	640 / 1600
Focal spot size (EN12543):	1 - 3
Beam angle:	40°
Target angle:	20°
Inherent Filtration (mm):	0,8 Be
Anode cooling type:	Water
Cooling flow rate:	4l/min
Leakage:	10mSv/h@1m
Max current:	15 / 30 mA
Weight :	11 kg
Tubehead:	Metal Ceramic

The TSD225/1 is a compromise between high and low power at 225 kV which allows you a wide range of applications from light alloys and plastics to medium walled steel products. Focal spot sizes are offering the possibility to operate either in standard radiography or in radiosopic applications. The small size filament is also allowing applications with slight magnifications. The TSD225/1 is generally highly sufficient for the majority of standard industrial applications and is giving the advantage of still being Monopolar.

Slightly larger than a 160 tube, the housing diameter is only 124 mm which will ensure that the tube can still be inserted even in tiny spaces. The tube shielding is internal and reduces the radiation leakage to less than 1 R/h @ 1 m as required by International standards. In and out fluid inlets are mounted with universal connectors while the HV plug cone is a R24.

This tube can be used with all brands of generators provided that the load curve can be adapted. See our specialists if you intend to connect this tube to another unit than a BALTEAU.

MECHANICAL DRAWING



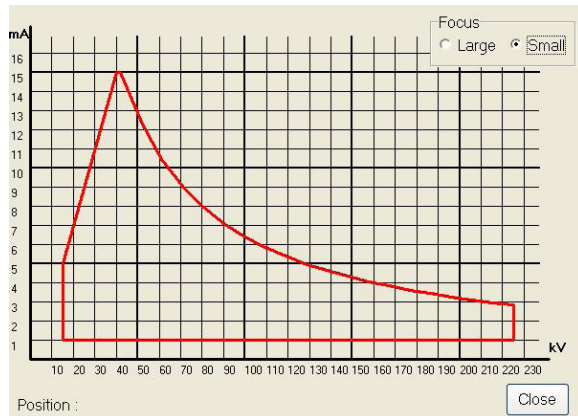
Specifications

Max. High voltage	kV	225	Nominal power	W	640/1600
Tube type		Metal Ceramic	Inherent filtration	mm	0,8 Be
Beam angle		40°	Target angle		20°
Cooling mode		Water	Leakage *	mSv/h @1m	10
HV Connector		R24	Cooling flow rate	l/min	4
Part number		04840110	Weight	Kg	11

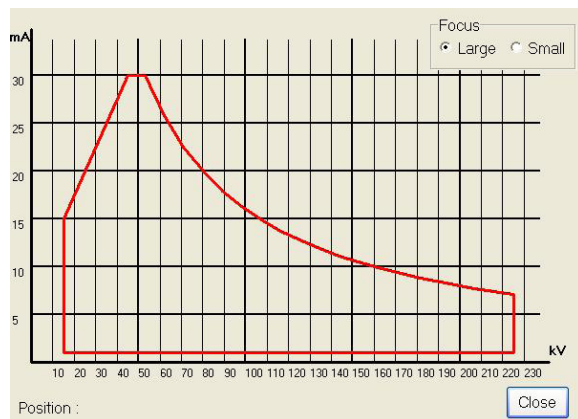
Small Focal			Large Focal		
Max. Current @ kV Max.	mA	3	Max. Current @ kV Max.	mA	7
Focal spot EN12543	d	1	Focal spot EN12543	d	3
Max. Current	mA	15	Max. Current	mA	30

* Leakage radiation max at 1m in mSv/h at nominal kV

Load curves



SMALL FOCAL



LARGE FOCAL

Load curves are indicative as they display the theoretical capacity of the target that may be modified by the HV generator connected and/or by user's settings. Please consult our engineers for up to date information and data related to your generator.

STANDARD EQUIPMENT

Part designation

Fittings for water hose connections d=8 and d=12 mm

OPTIONAL ACCESSORIES

Part designation

Quick flanges with key

Tube Accessories Support

Lead shutter

Four legs stand

Tube collimator

Contact details

Balteau NDT

Rue Voie de Liège, 12
B-4681 Hermalle Sous Argenteau
Belgium

www.balteau.com
balteau@balteau.com
Tel. +32 (0) 4 374 75 75
Fax +32 (0) 4 374 75 85

Distributed by:

