

BALTOGRAPH TSD320/5



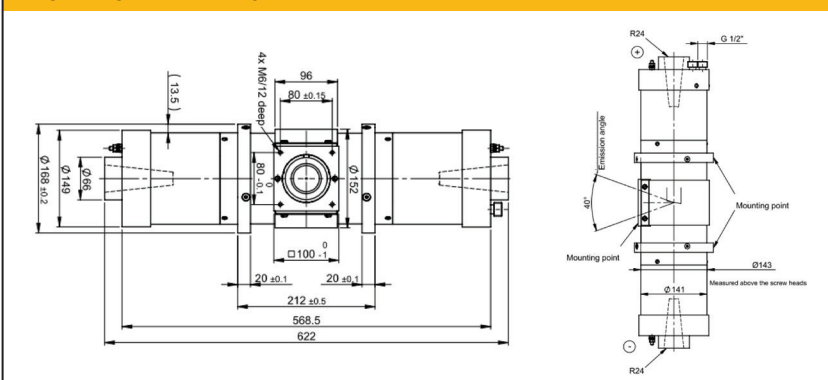
| | |
|----------------------------|----------------------|
| Max high voltage: | 320 kV |
| Nominal power: | 1500 / 4200 |
| Focal spot size (EN12543): | 3 - 5,5 |
| Beam angle: | 40° |
| Target angle: | 20° |
| Inherent Filtration (mm): | 3 Be |
| Anode cooling type: | Oil |
| Cooling flow rate: | 14l/min |
| Leakage: | 5 mSv/h@1m |
| Max current: | 15 / 35 mA |
| Weight : | 40 kg |
| Tubehead: | Metal Ceramic |

The TSD320/5 is a tube of the Bipolar range. This tube has a big amount of power available and is designed for medium to heavy walled steel thicknesses applications. Driven by the adequate generator it can also be used in light alloys and composites materials. With a power of up to 4 kW on the large filament this tube helps you reducing your film exposures durations or achieve superior thicknesses in reduced times. The second filament will provide an alternative for higher definition radiographies or radiosopic applications.

The tube shielding is internal and reduces the radiation leakage to less than 1 R/h @ 1 m as required by International standards. In and out fluid inlets are mounted with universal connectors while the two HV plug cones are R24.

This tube can be used with all brands of generators provided that the load curve can be adapted. See our specialists if you intend to connect this tube to another unit than a BALTEAU.

MECHANICAL DRAWING



Specifications

| | | | | | |
|-------------------|----|---------------|---------------------|-----------|-------------|
| Max. High voltage | kV | 320 | Nominal power | W | 1500 / 4200 |
| Tube type | | Metal Ceramic | Inherent filtration | mm | 3 Be |
| Beam angle | | 40° | Target angle | | 20° |
| Cooling mode | | Oil | Leakage * | mSv/h @1m | 5 |
| HV Connector | | R24 | Cooling flow rate | l/min | 14 |
| Part number | | 04840370 | Weight | Kg | 40 |

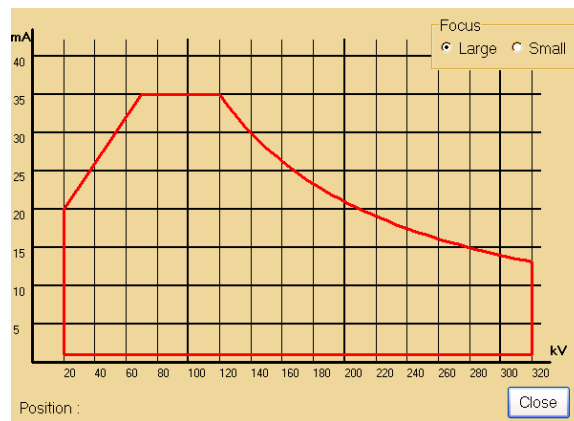
| Small Focal | | | Large Focal | | |
|------------------------|----|-----|------------------------|----|-----|
| Max. Current @ kV Max. | mA | 4,5 | Max. Current @ kV Max. | mA | 13 |
| Focal spot EN12543 | d | 3 | Focal spot EN12543 | d | 5,5 |
| Max. Current | mA | 15 | Max. Current | mA | 35 |

* Leakage radiation max at 1m in mSv/h at nominal k

Load curves



SMALL FOCAL



LARGE FOCAL

Load curves are indicative as they display the theoretical capacity of the target that may be modified by the HV generator connected and/or by user's settings. Please consult our engineers for up to date information and data related to your generator.

STANDARD EQUIPMENT

Part designation

- Oil hose connector 1/2"
- Oil quick connector

OPTIONAL ACCESSORIES

Part designation

- Quick flanges with key
- Tube Accessories Support
- Lead shutter
- Universal Trolley Stand
- Tube collimator

Contact details

Balteau NDT
 Rue Voie de Liège, 12
 B-4681 Hermalle Sous Argenteau
 Belgium

www.balteau.com
 balteau@balteau.com
 Tel. +32 (0) 4 374 75 75
 Fax +32 (0) 4 374 75 85

Distributed by:

