

NEW

A new evolution, upgrade of our stationary x-ray generators with the latest components to increase performances and comfort of use.

MORE POWER, SMALLER, LIGHTER, MORE USER-FRIENDLY & MORE

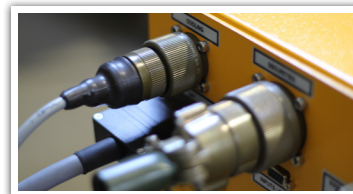
BALTOGRAPH XMD225/4KW



High voltage range:	5 to 225 kV
Tube current range:	0,1 to 30 mA
Focal spot size:	From 0,2 x 0,2 to 3 x 3
Max. output power:	4000 W
Anode cooling type:	Water
Duty cycle:	100%
Insulation:	Encapsulated
Voltage:	230 V
Operating temperature:	45°C
Weight:	244 kg
Tubehead:	Metal Ceramic
Control unit:	LS1

MAIN FEATURES

- High frequency constant potential generator
- « Ripple free »
- High duty cycle
- Current up to 30 mA
- Output power up to 4000 W
- Metal-ceramic tube
- Stationary or mobile unit
- Full automatic preheating
- Very stable output
- Safety first, X-ray start with 2 buttons
- Low consumption

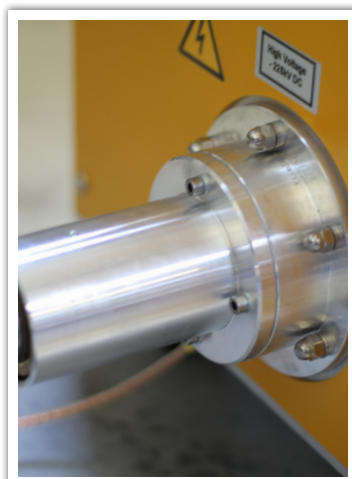


KEY ADVANTAGES

- Very reliable
- Powerful, steadiness & sturdiness
- Solid insulation HV module : more convenient for the maintenance
- No gas and no oil to isolate
- Can be turned into panoramic or directional x-ray equipment
- Can drive up to two individual filament
- Can be combined to a RS232 interface
- CANON military metallic connectors

MOST COMMON APPLICATIONS

- Oil & Gas
- Energy
- Aeronautical/ aerospace
- Transport
- Military
- Bio-medical & agriculture
- And much more

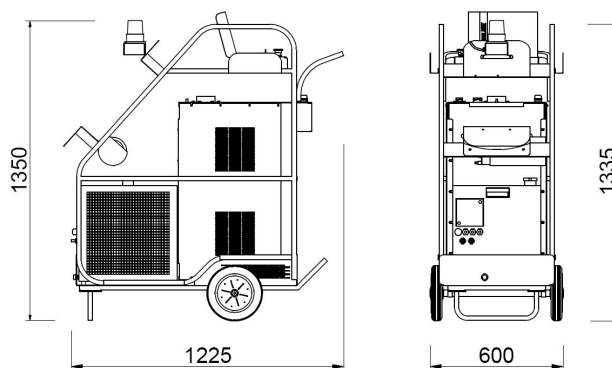


The XMD225/4KW gives the flexibility of a mobile unit and is as powerful, stable and sturdy as a stationary unit. It gives you more flexibility than a portable unit in places where room for the tubehead is reduced.

The XMD225/4KW is the mobile version of the XSD225/4KW, first unit of a complete set based on a solid insulation HV module. This technology not only frees you from very specialized service operations but also guarantees that you will be able to get the most out of your machine at any time.

A very high duty cycle and a wide variety of tubehead is available, therefore the unit can be easily turned into a Panoramic or a Directional X-ray equipment with different focal spot sizes and can drive up to two individual filaments.

MECHANICAL DRAWING



Combined to our computerized control panel (LS1) it can be integrated in all kind of environment, for instance it can replace the majority of existing units without big changes or any.

INTERNATIONAL

- CE certified
- NFC74-100 LCIE Certified
- Manufactured under ISO9001

Specifications	Units	XMD225/4KW
High voltage range	kV	5 - 225
Tube current range	mA	0,1 - 30
Focal spot size (IEC336)		From 0,2 x 0,2 to 3 x 3
Ripple		0,1% PP
Maximum output power	Watt	4000
Frequency	Hz	47 - 63
Current	A	18
Steel penetration at max (*)	mm	54
Working temperature	°C	0 to 45°C
Anode cooling type		Water
Duty cycle	%	100%
Insulation		Encapsulated
Voltage	V	230 (-15% +10%)
Weight (without rings)	Kg	244
Tubehead		Metal-Ceramic
Control unit:		LS1

* FFD= 700mm/Film Carestream Industrex AA400/D=2.0/t=10min.



LS1

- kV step: **1 - 2 - 5**
- mA step: **0,1 - 0,2 - 0,5**
- Memories: **10.000**
- Casing: **Aluminium**
- Frequency: **45 - 66 Hz**
- Mains: **90 - 245 V**
- Weight: **4,8kg**

STANDARD EQUIPMENT

- X-Ray generator : XSD or CLD
- Tubehead : TSD or TSC
- Control unit : LS1 or LS1C
- A cable from the generator to the control panel
- A main power cable



LS1-C2

- kV step: **1 - 2 - 5**
- mA step: **0,1 - 0,2 - 0,5**
- Memories: **10.000**
- Casing: **Aluminium**
- Frequency: **45 - 66 Hz**
- Mains: **90 - 245 V**

OPTIONAL EQUIPMENT

- Warning flashing light with 20 m cable
- Closed circuit type water cooling unit
- Water security box

Produced by:

Balteu NDT

Rue Voie de Liège, 12
B-4681 Hermalle Sous Argenteau
Belgium

www.balteu.com

balteu@balteu.com

Tel. +32 (0) 4 374 75 75

Fax +32 (0) 4 374 75 85

Distributed by:

